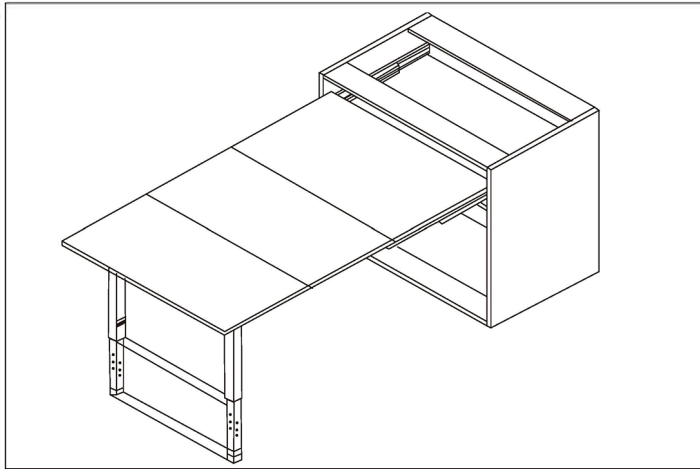


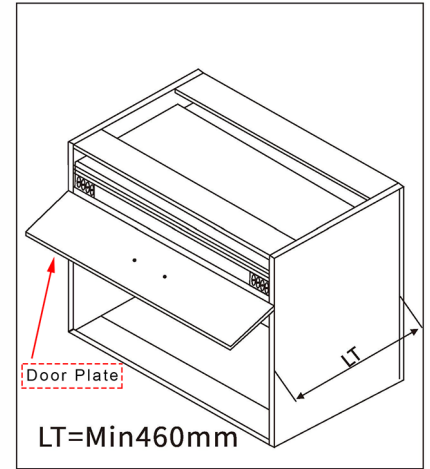
DB5001T Telescoic Extension Dining Table Install Instruction



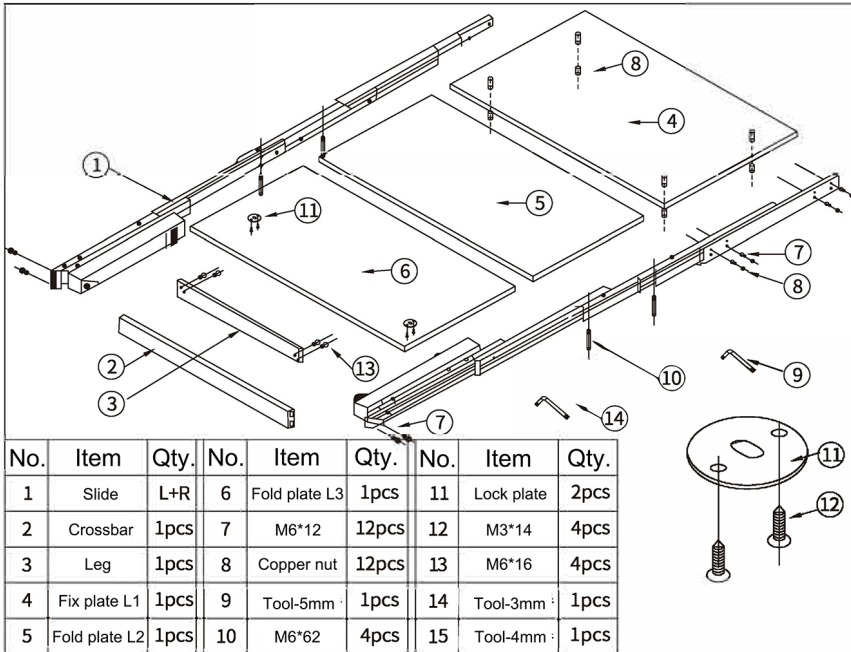
Description

·Extended to be a 1.5m long dining table, which is enough for a family or 4~5 persons to use.
 Made of high grade aluminum alloy
 Wide usage: can be used on desk, cabinet or dining table
 Extended smoothly and quietly
 Easy installation
 Load capacity: 70 KG

patented product !!!



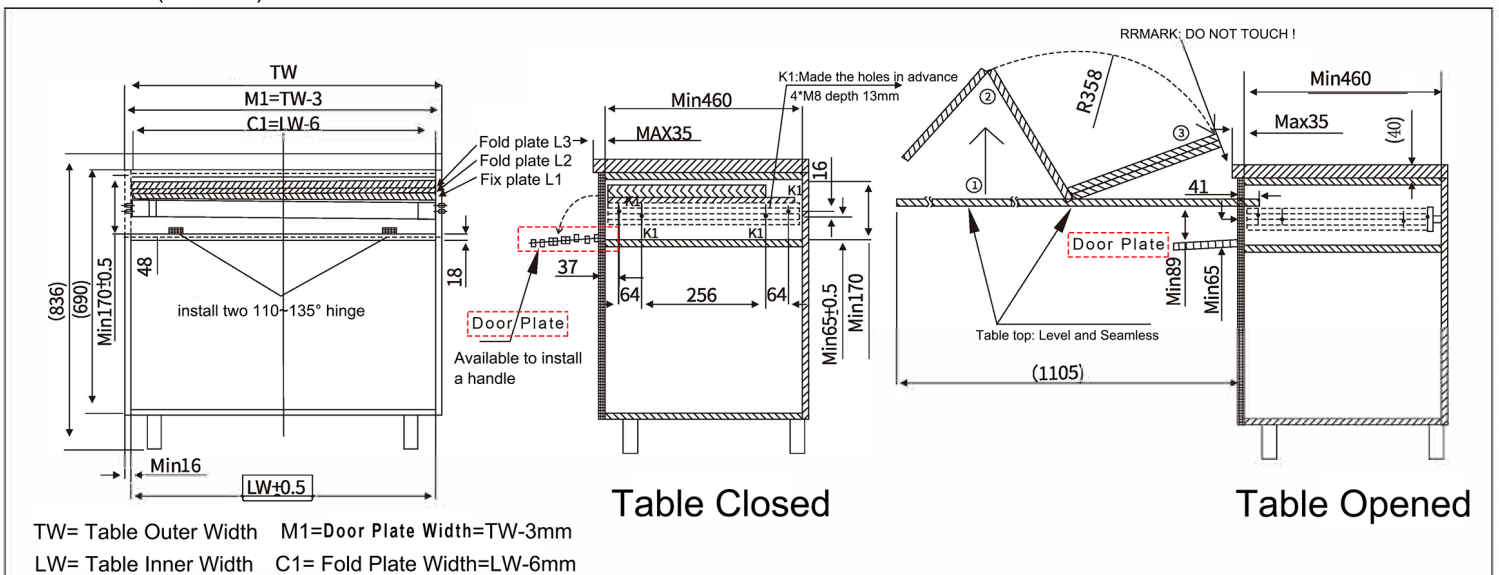
Detail



No.	Item	Qty.	No.	Item	Qty.	No.	Item	Qty.
1	Slide	L+R	6	Fold plate L3	1pcs	11	Lock plate	2pcs
2	Crossbar	1pcs	7	M6*12	12pcs	12	M3*14	4pcs
3	Leg	1pcs	8	Copper nut	12pcs	13	M6*16	4pcs
4	Fix plate L1	1pcs	9	Tool-5mm	1pcs	14	Tool-3mm	1pcs
5	Fold plate L2	1pcs	10	M6*62	4pcs	15	Tool-4mm	1pcs

	Item: DB5001T-440
	Material: Aluminum alloy
	Size: 440
	Qty.: 1 set
	Package: 1 set/ctn
	Item: square crossbar
	Material: Aluminum alloy
	Size: L=LW-161 (Customized Available)
	Qty.: 1 set
	Package: 1 set/ctn
	Item: square leg
	Material: Aluminum alloy
	Size: L=LW-208 (Customized Available)
	Qty.: 1 set
	Package: 1 set/ctn

Table Detail (unit: mm)



Installation Detail

Plate Size

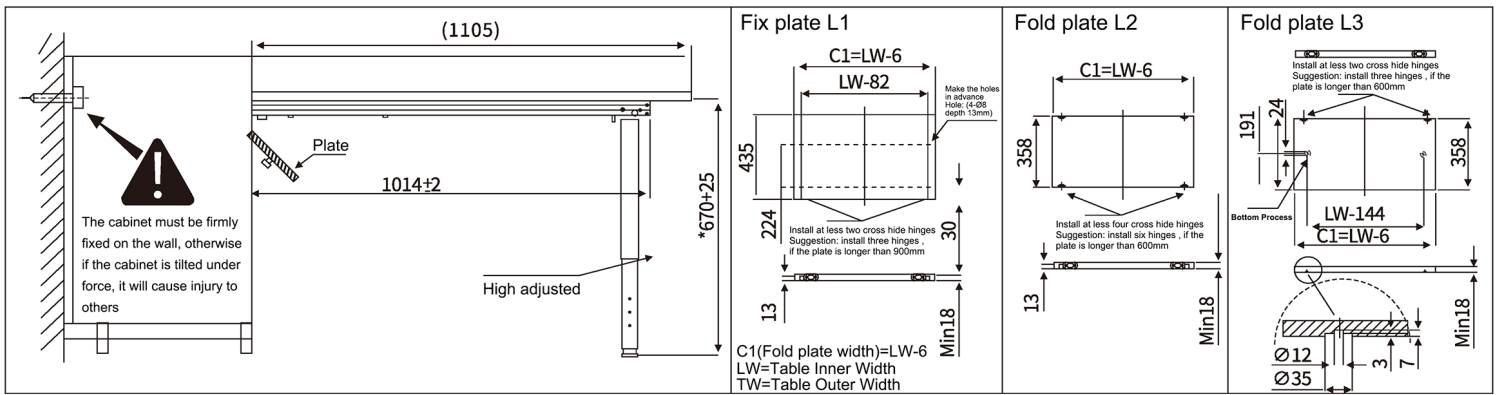


Table Mechanism Install Detail

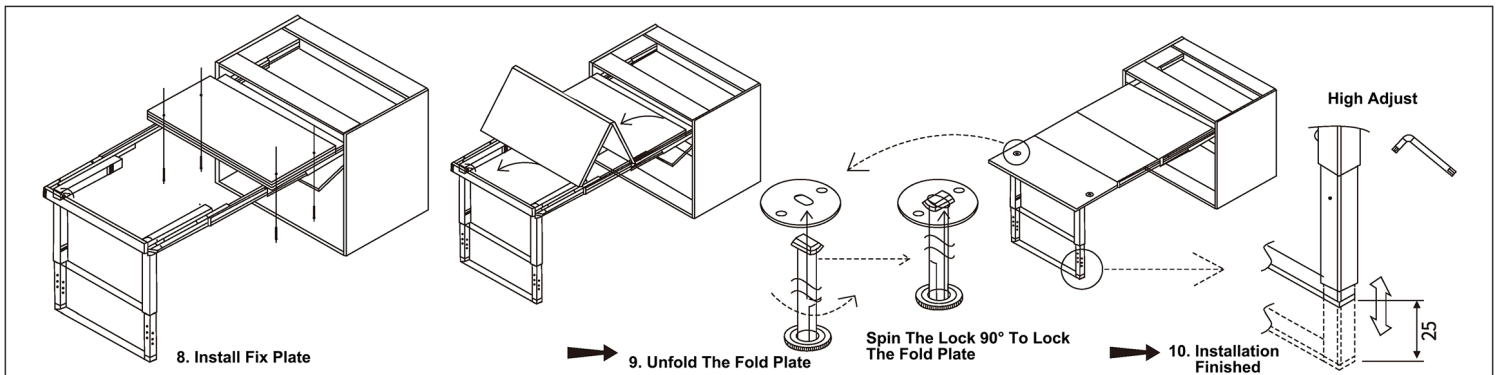
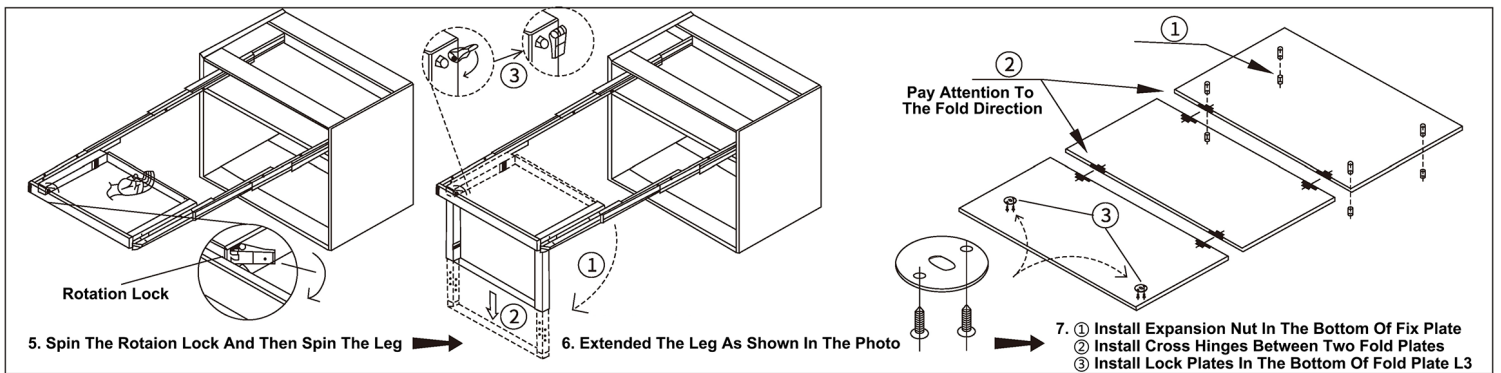
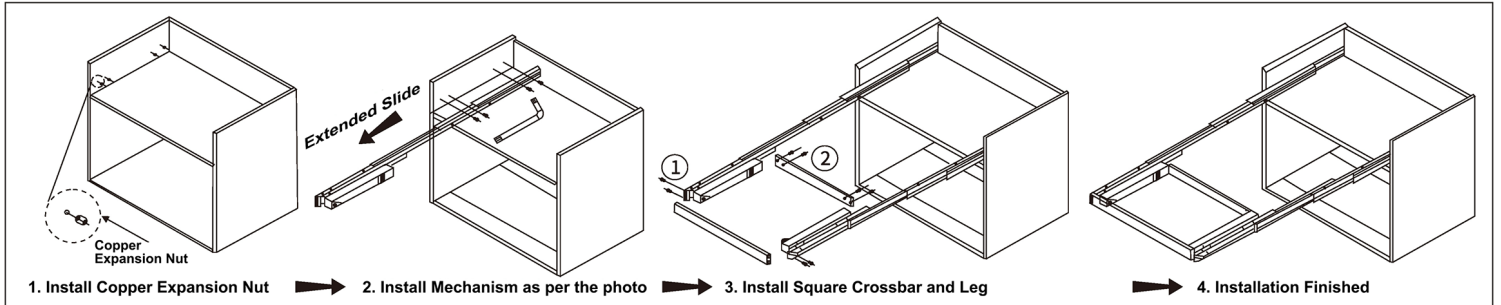


Table Close Step

